

Anne Frank's Suitcase

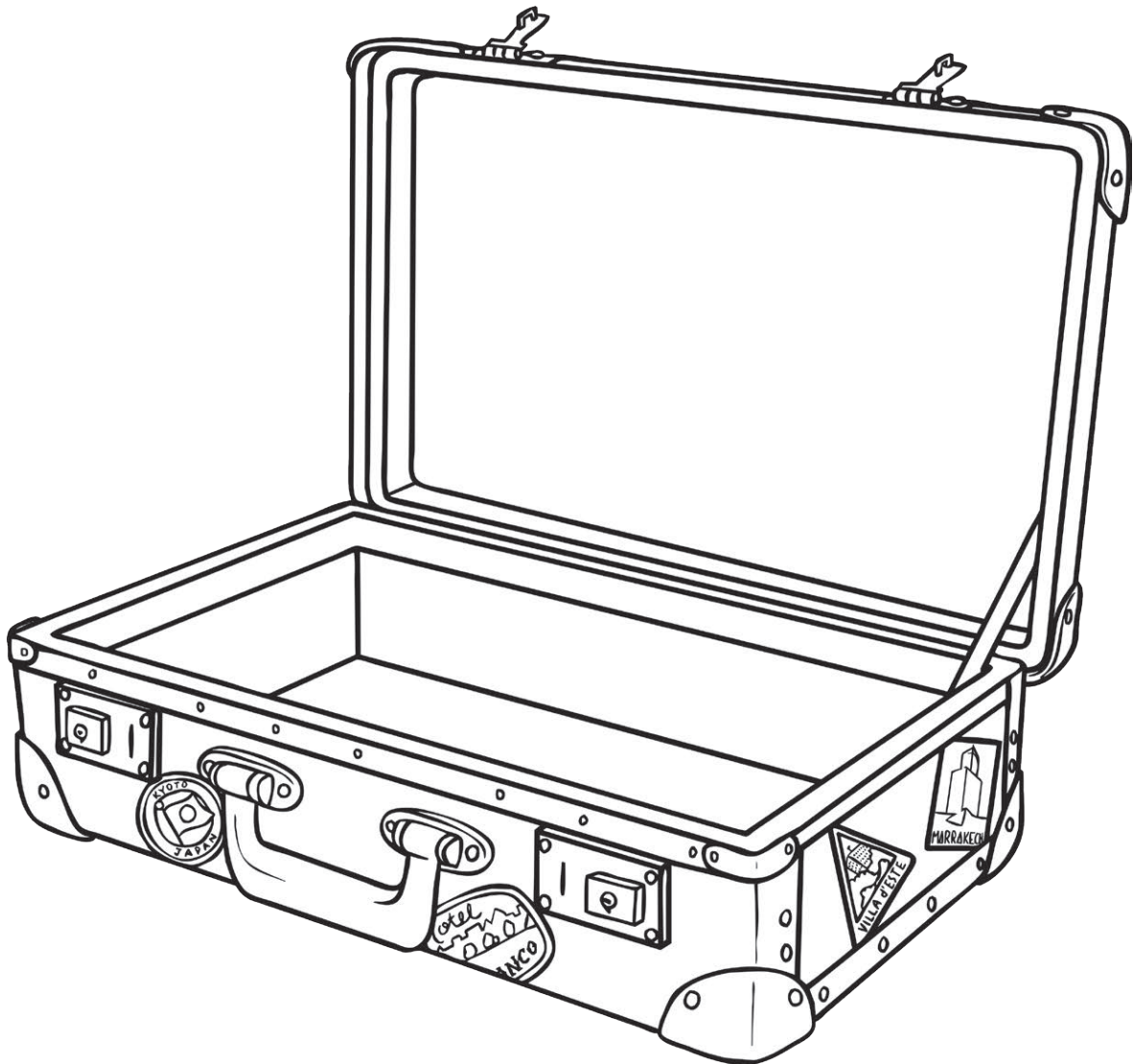
In 1942, Anne Frank wrote in her diary:

“The first thing I put in was this diary, then hair curlers, handkerchiefs, schoolbooks, a comb, old letters; I put in the craziest things with the idea that we were going into hiding. I'm not sorry, memories mean more to me than dresses.”

Imagine that one day you had no choice but to leave home for a long time. You had time to pack your three most important things. What would they be?

Draw them in your suitcase.

Label the items you have chosen.

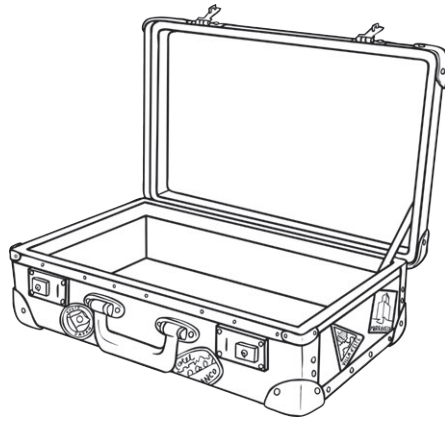


Anne Frank's Suitcase

In 1942, Anne Frank wrote in her diary:

“The first thing I put in was this diary, then hair curlers, handkerchiefs, schoolbooks, a comb, old letters; I put in the craziest things with the idea that we were going into hiding. But I’m not sorry, memories mean more to me than dresses.”

Imagine that one day you had no choice but to leave home for a long time. You have time to pack only three things. What would they be and why would you take them?



1. I would take...

because...

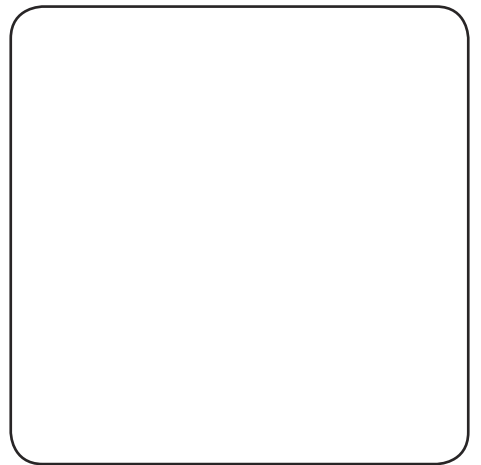
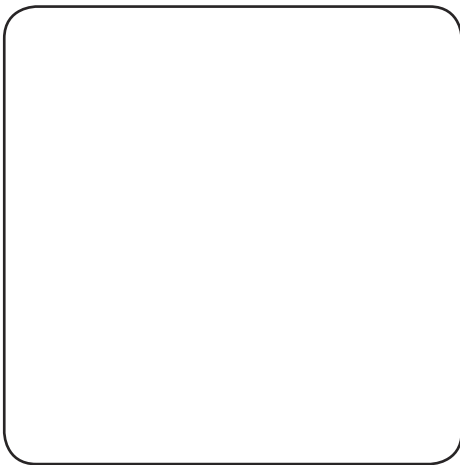
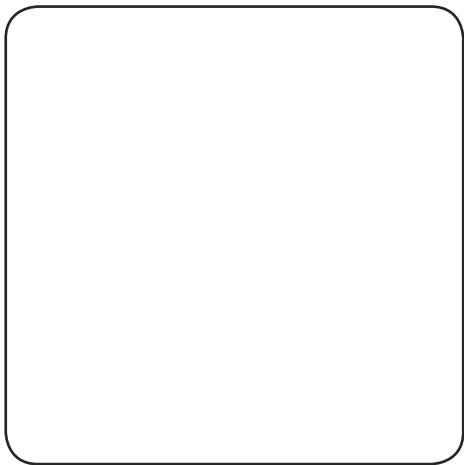
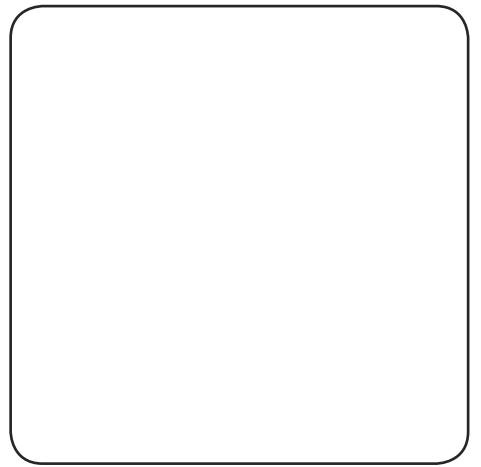
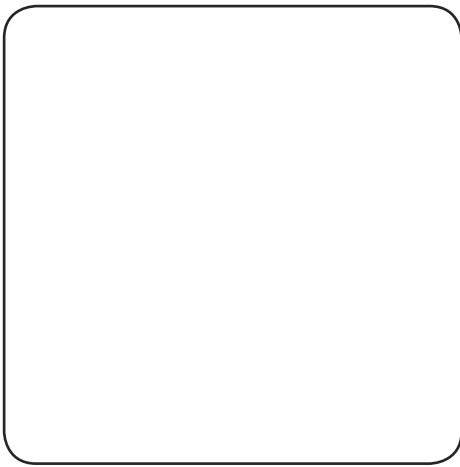
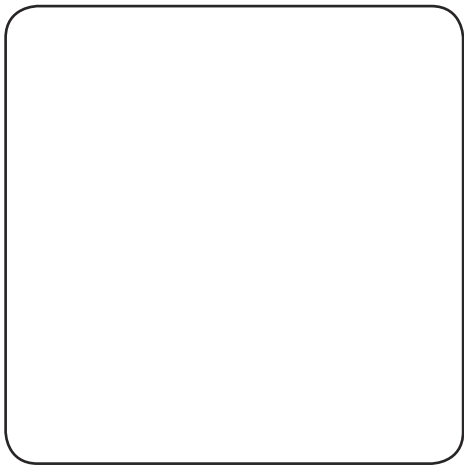
2. I would take...

because...

3. I would take...

because...

Draw what you would take in your suitcase.

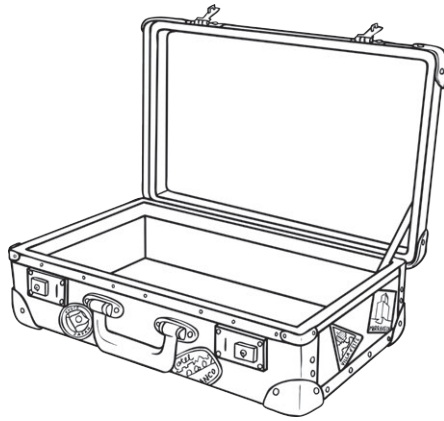


Anne Frank's Suitcase

In 1942, Anne Frank wrote in her diary:

“The first thing I put in was this diary, then hair curlers, handkerchiefs, schoolbooks, a comb, old letters; I put in the craziest things with the idea that we were going into hiding. But I’m not sorry, memories mean more to me than dresses.”

Imagine that one day you had no choice but to leave home for a long time. You have time to pack only three things. What would they be and why would you take them?



1. The most important thing would be...

because...

2. The next important thing I would take would be...

because...

3. The last thing I would take would be...

because...

Draw the pictures of what you would take in your suitcase and label them.

